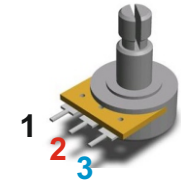
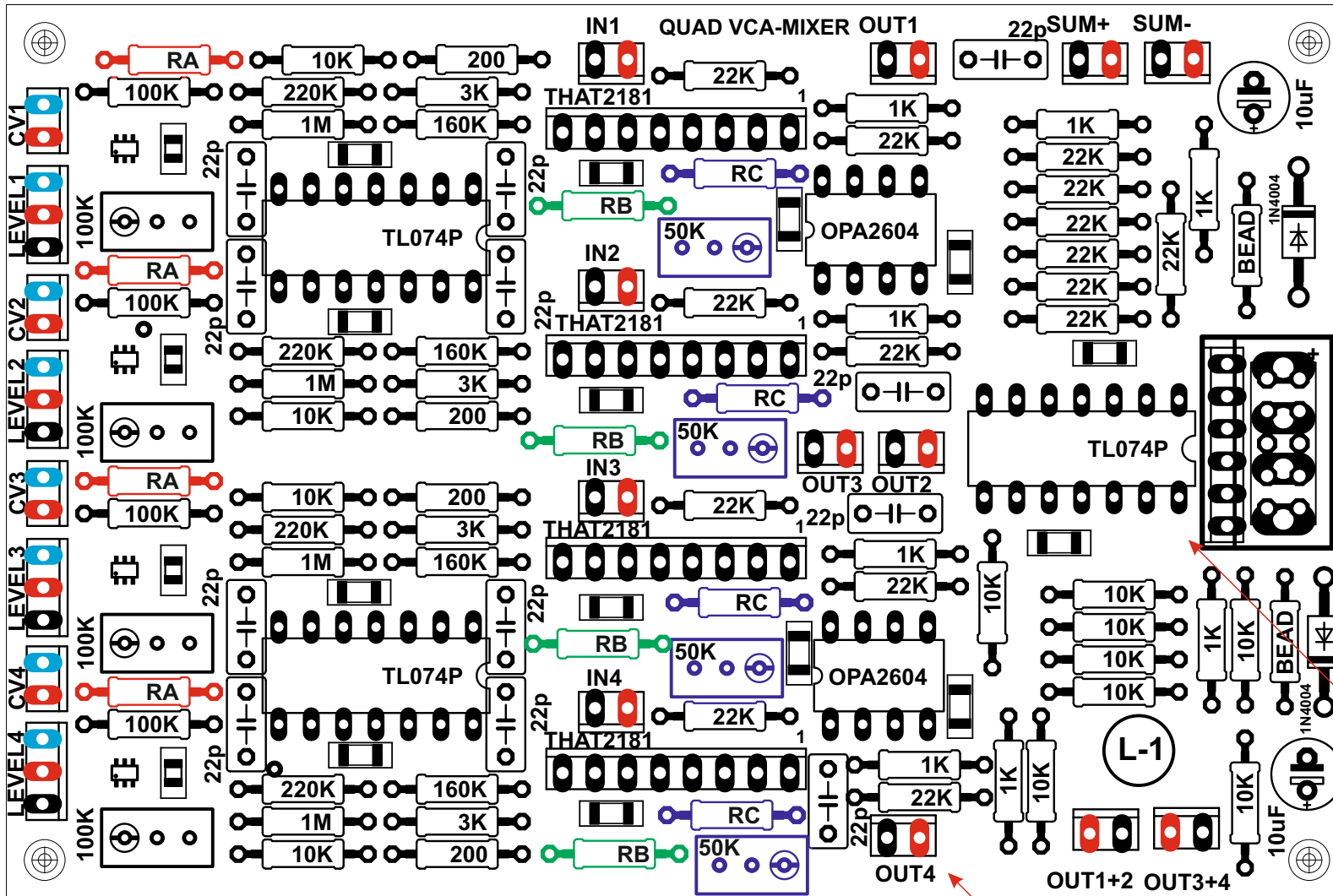
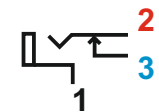


# L-1 QUAD VCA-MIXER






Pot pins color coding:  
 1 - CCW (black)  
 2 - wiper (red)  
 3 - CW (blue)



Jack pins color coding:  
 1 - ground (black)  
 2 - signal (red)  
 3 - norm (blue)

CV inputs not have ground pads. Connect them to ground on front panel.

-  RA 68K for 15V. 43K for 12V.
-  RB 5K1 for 15V. 3K9 for 12V.
-  RC THAT2181A – 680K.  
 THAT2181B – 220K. Omit RC and 50K trimmer if you use THAT2180.  
 THAT2181C – 130K.

Pay attention to different orientation of this connector.

Dotcom power connector and IC have no clearance. Fit before soldering.

